

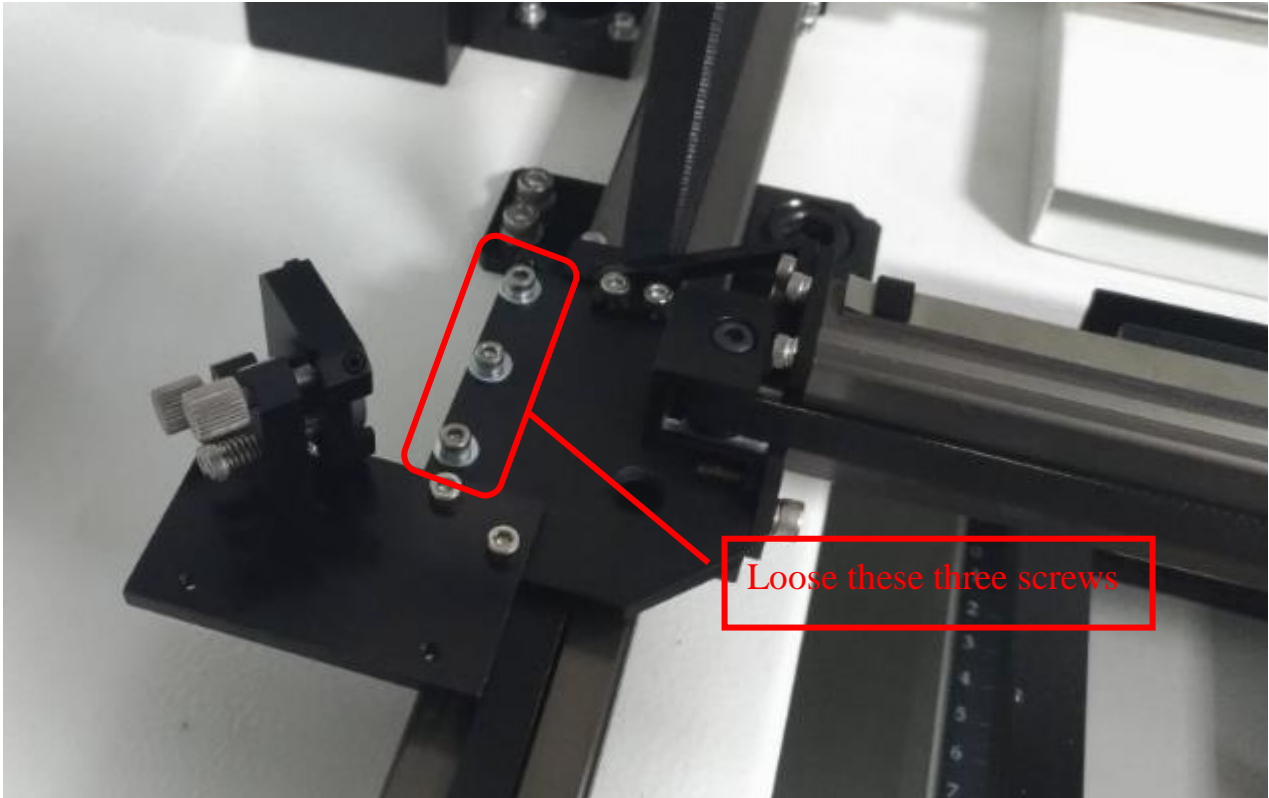
Title : i.Laser left y rail clamp adjustment

Step 1

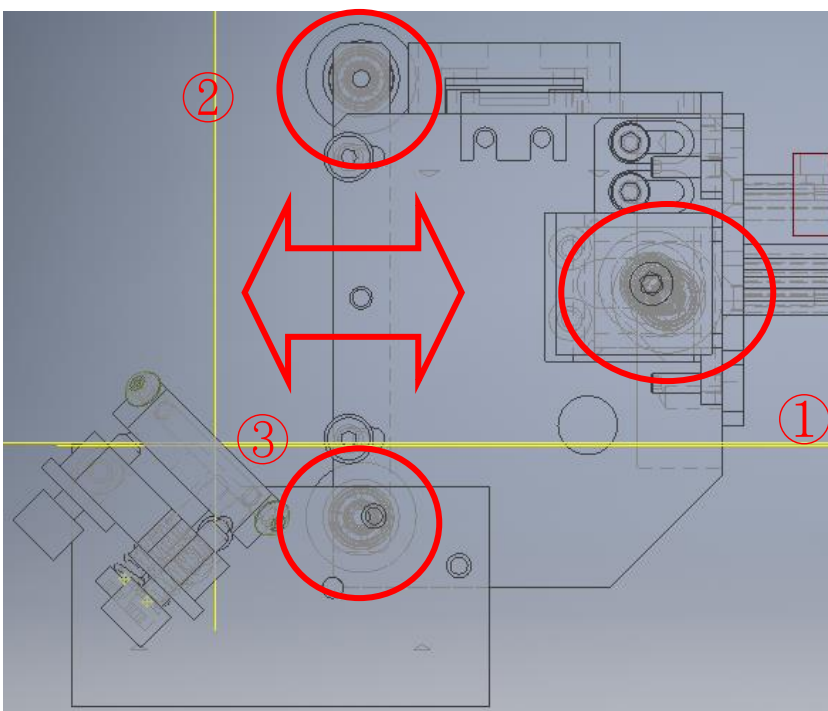
Take off the sheet metal cover of mirror like the following picture.

If possible, find a plastic bag and put it on the mirror. To prevent mirror not be touched by skin.

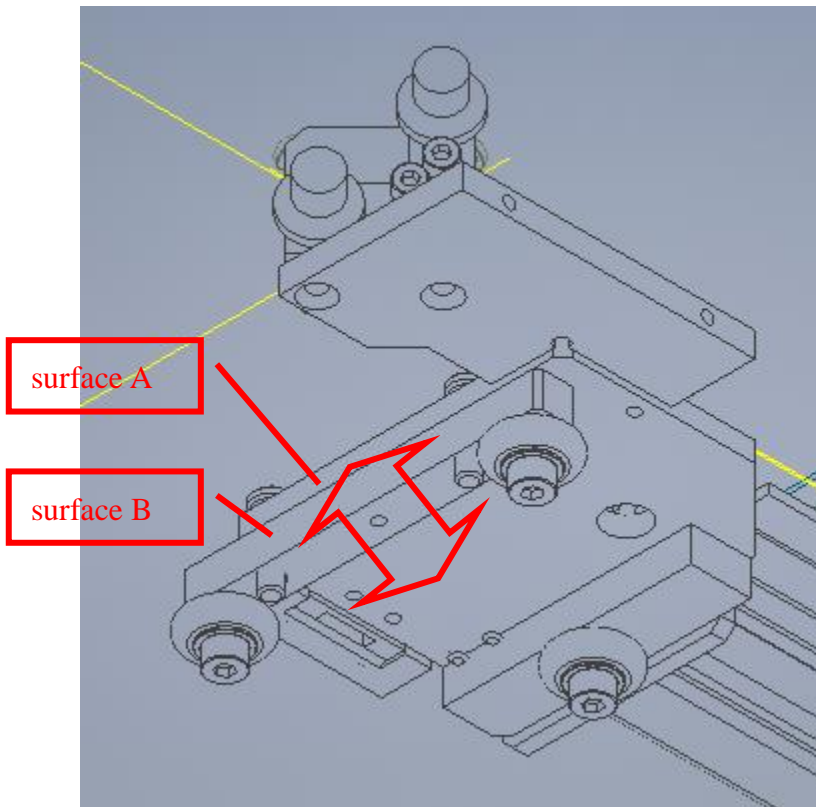
Loose the red rectangle screws. Don't take them off.



Step 2



Wheel ① is fixed.
Wheel ② and ③ can be moved by the bottom aluminum bar like the next picture.



You can hold X axis and push to left, and then you can clamp the other two wheels to right at this moment. And then you can screw tight the three screws. Center screw first, and then the other two. Make sure surface A and surface B keep the same surface. All these three wheels should be very tightly touch on the y rail.



The last test is to touch these three wheels, the wheel should not be freely rotate by hand.. If any wheel can be rotated, please re-assembly again.